

[1,2]

100

(Lego, Arduino),

(Lego, Arduino)

() ;

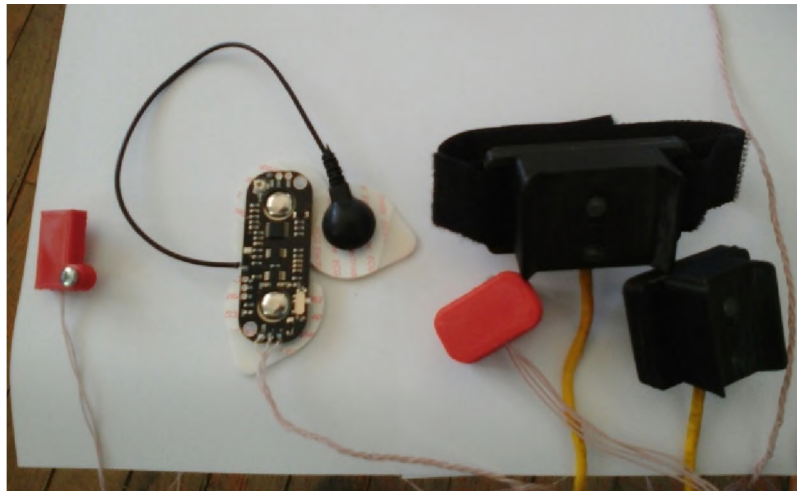
1.



1 -

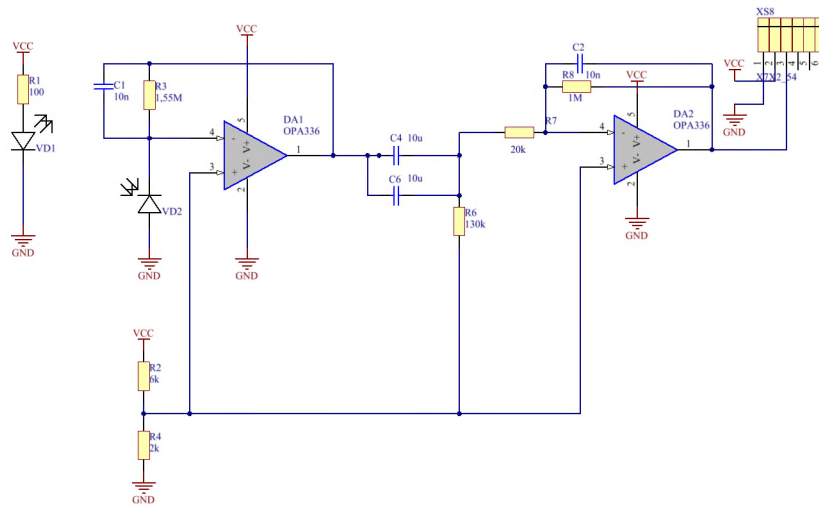
- ;
 - : , , ;
 - - Lilon ();
 - “ ” ;
 (Arduino . .);
 - ;
 - Lego;
 - - OLED -
 ();
 - ();
 - ;
 - - RS485.

2.



2 - () (3

3.



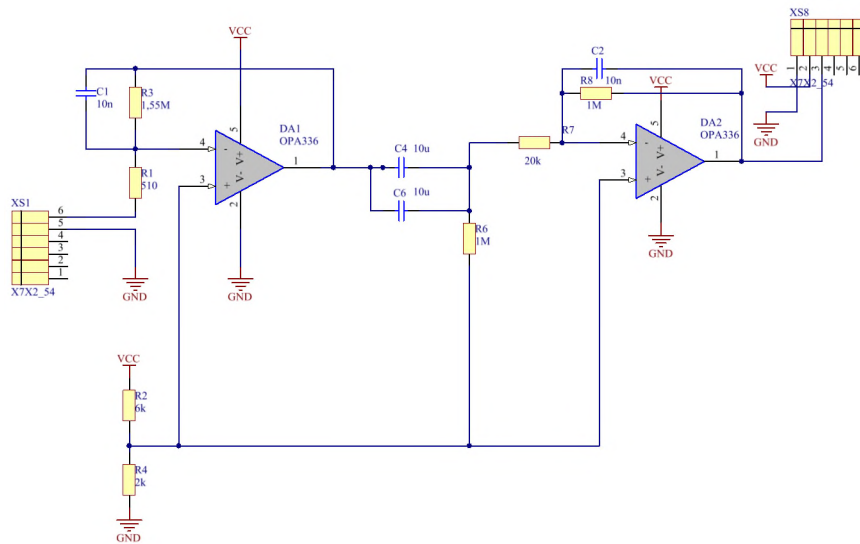
3 -

2.

VD2.

(DA1, DA2), RC
 4 6R6 ().
 R2, R4 R3, R8, R7, R6. C

4.



4 -

XS1.

R1, R3. [3,4]

1. []
<http://www.nti2035.ru/markets/neuronet> -

2. Mind, Brain, and Education []

https://en.wikipedia.org/wiki/Mind,_Brain,_and_Education -

- 2. (, 2011).
 - 3.
1. (The Art of Electronics) 1993.

(-

3- .

»;

(,)

,

»;

(,)

,

»;

(,)

,

»;

(,)

,

»;

(,)

PYTHON
OPENCV

.

,

,

..

.

,

, OpenCV,

.